

2008



PHONE NO. 800-448-2343 • FAX NO. 330-744-1228 • www.glipoolproducts.com

Pattern _____ Mil _____

Shipping:

- UPS Ground Common
 1-Day Air Carrier
 2-Day Air Other

3-Day Express Service

- Express service

RECTANGLE - OVAL - GRECIAN ORDER FORM

DISTRIBUTOR INFORMATION

DISTRIBUTOR NAME _____
 DISTRIBUTOR ADDRESS _____
 CITY _____ STATE _____ ZIP _____
 CONTACT _____
 PHONE _____ FAX _____
 EMAIL ADDRESS _____
 TAG NAME _____

SHIP TO

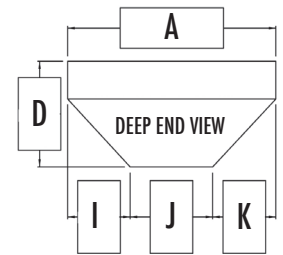
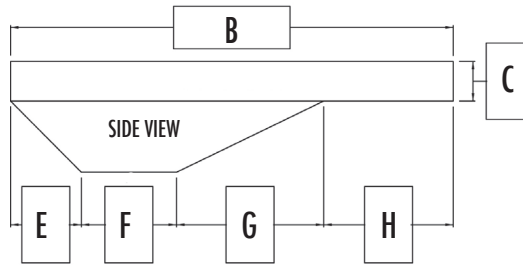
DEALER NAME _____
 DEALER ADDRESS _____
 CITY _____ STATE _____ ZIP _____
 CONTACT _____
 PHONE _____ FAX _____
 EMAIL ADDRESS _____
 PO# _____

<p>Fiberglass Steps</p> <p><input type="checkbox"/> YES <input type="checkbox"/> NO</p> <p>(if yes, please mark location of step on drawing below)</p>	<p>Vinyl Covered Steps</p> <p><input type="checkbox"/> YES <input type="checkbox"/> NO</p> <p>(if yes, please fill out GLI step order form and draw location on top view of drawing)</p>	<p>Corner Type</p> <p><input type="checkbox"/> Square <input type="checkbox"/> Radius _____ ft./in. _____ <input type="checkbox"/> Diagonal _____ ft./in. _____</p>	<p>Safety Ledge</p> <p><input type="checkbox"/> YES _____ in. <input type="checkbox"/> NO</p>	<p>Wall (circle one)</p> <p>Beaded Overlap _____ in. Overlap w/ Tile _____ in.</p>
--------------------------------------------------------------------------------------------------------------------------------------------------------------------	------------------------------------------------------------------------------------------------------------------------------------------------------------------------------------------------------	--------------------------------------------------------------------------------------------------------------------------------------------------------------------------------------	-----------------------------------------------------------------------------------------------------------	---------------------------------------------------------------------------------------------------------------------

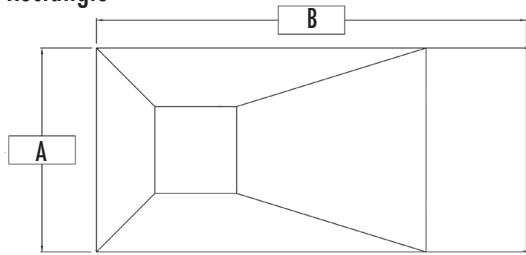
POOL & HOPPER

Hopper Pad Rectangle Oval Grecian Radius _____ inches

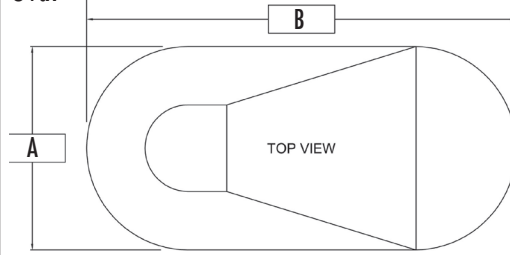
A _____ F _____ K _____ P _____
 B _____ G _____ L _____
 C _____ H _____ M _____
 D _____ I _____ N _____
 E _____ J _____ O _____



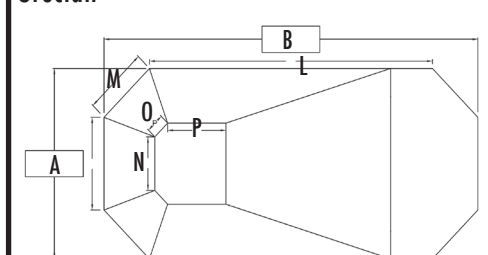
Rectangle



Oval



Grecian



Vinyl Covered Steps (check appropriate shape below)

	A	
	B	
*	C	
**	D	
**	E	
**	F	
***	G	
***	H	
***	I	
***	J	
	K	
	L	

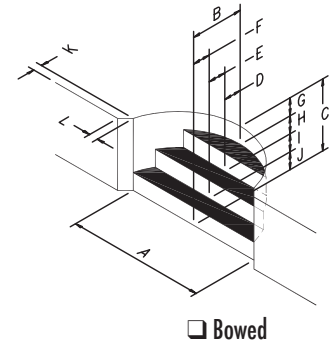
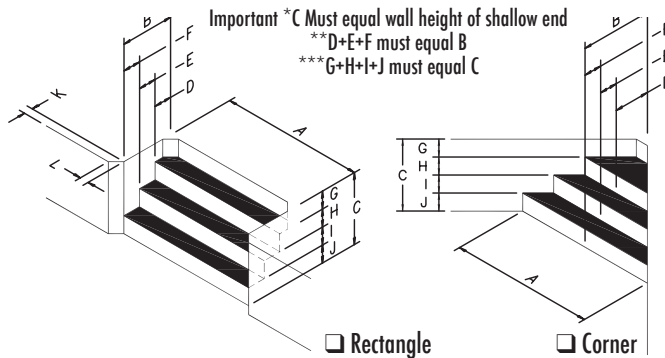
Top Step Corners:

Square
 Radius _____ inches
 Diagonal _____ inches

Tread and Riser Material:

Same as floor
 White

Rod Pockets: Yes No
 Size _____
 Diameter of rod _____
Nailer Flaps: Yes No



Step Setback: Yes No
 If yes, see below.
Setback Width (K) _____ inches
 Straight Angled (L) _____ inches